



electric wire heater

LOW
NOISEWIRE
HEATERPLUG
PLAYFACE
2in1**BASIC FEATURES**

- Lengths 60 and 90 cm available
- **Air flow up to 345 m³/h** (ISO 27 327-1)
- *FACE 2 in 1* - suction grille + filter = 2 in 1
- Silent operation
- Instant start of heating output
- Simple and intuitive control
- Easy installation
- Standard colour RAL 9016 (any RAL - based colours may be provided on customer's request)

The air curtain for small openings where a narrow hot stream is required for use in premises such as **fast-food facilities, drive-in restaurants, petrol stations and receptions** with a recommended height up to 1.5 m*.

* *Maximum recommended installation height suitable for the most application (may differ based on the existing conditions at the installation location).*


PRIMARY PARAMETERS

Air curtain is designed for performance in an inner dry environment with the outside temperature between +5 °C to +40 °C and relative humidity up to 80 %, for transferring air without gross dust, greasiness, chemical vapours and other kinds of pollution. Electrical protection of this product is IP 20.

BASIC air curtains are equipped with electric wire heater with automatic thermostat on each element. Whole product is secured by emergency thermostat with manual reset.

Air curtain type	Recommended installation height [m]	Airflow volume [m ³ /h] ^{*1}		Acoustic pressure [dB(A)] ^{*2}		Sound power [dB(A)] ^{*3}
		max speed	min speed	3 m	5 m	
VCB-A-060-E-RF-0-0	1,5	229	207	46,5	42,1	64,0
VCB-A-090-E-RF-0-0		345	298	48,5	44,0	66,0

Air curtain type	Heater power output [kW]	Total power input [kW]	Total voltage/ current [V/A]	Motor voltage/ current [V/A]	Temperature increase Δt [°C] ^{*4}	Frequency [Hz]	Weight [kg]
VCB-A-060-E-RF-0-0	2,4	2,5	230 / 11	230 / 0,4	22,0	50/60	6
VCB-A-090-E-RF-0-0	3,1	3,2	230 / 14	230 / 0,7	19,0	50/60	8

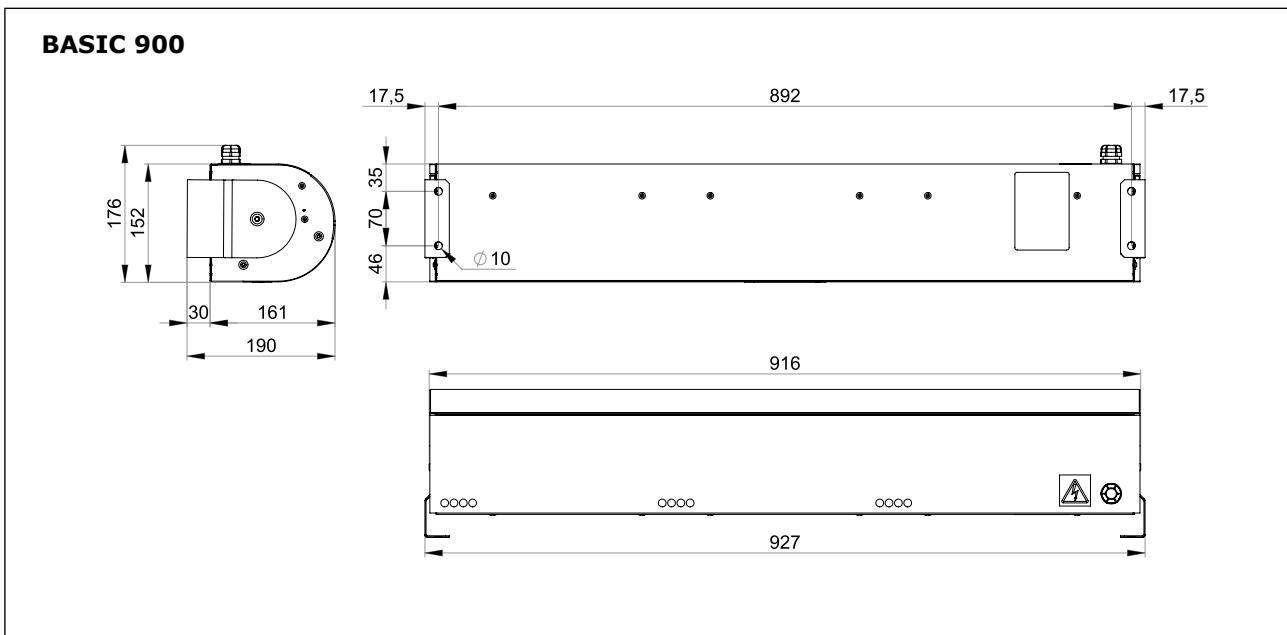
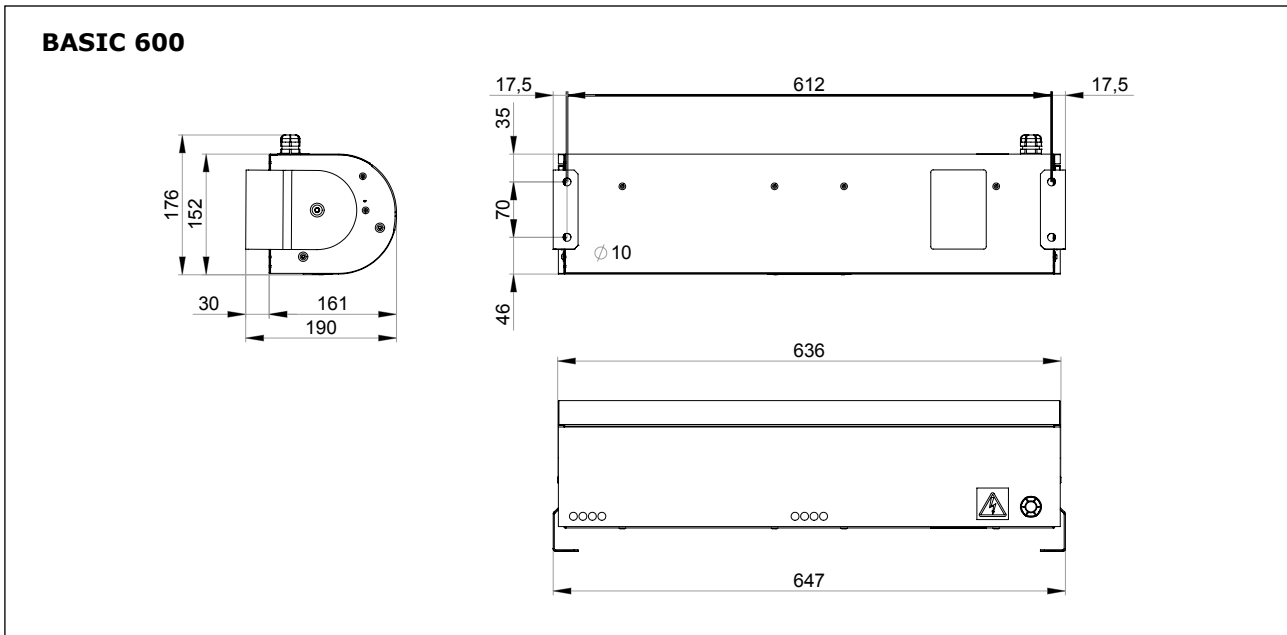
^{*1} Airflow volume according ISO27327-1

^{*2} Acoustic pressure values at 3 and 5 m distance for maximum speed. Directional factor: Q=2.

^{*3} Sound power (LWA) measurements according to ISO 27327-2.



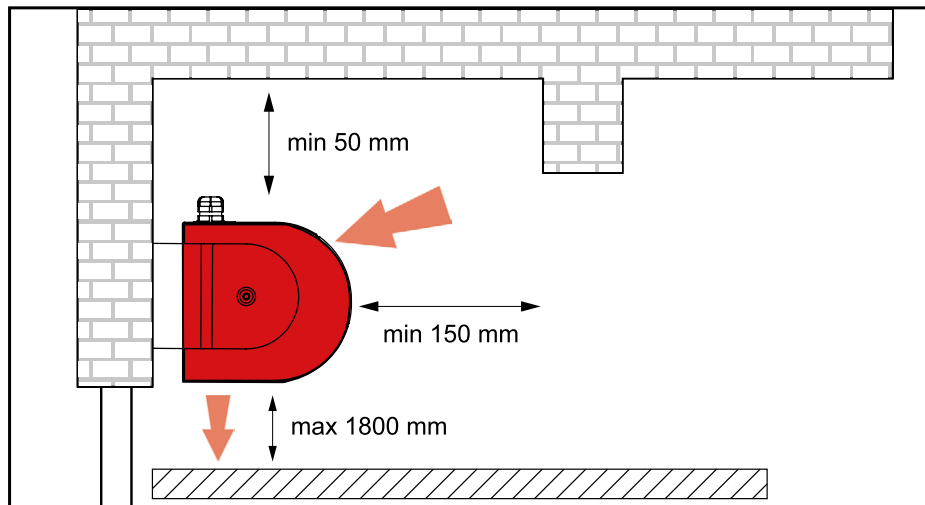
DIMENSIONS



**INSTALLATION AND ASSEMBLY**

- Air curtain can be installed only in a horizontal position
- Air curtain must be placed as near the upper edge of a door opening as possible, see the picture
- To achieve a best function of BASIC air curtain is recommended to use model which is slightly wider than opening which should be covered
- Correct operation of the air curtain requires that specified distances from the surrounding objects are kept, see picture.
- When installing, it is necessary to consider the connection of air curtain to an electrical lead
- To hang curtains, holders included in the delivery are used

Project shall always be developed by the HVAC designer.














CONTROL

BASIC air curtains are controlled by a wireless remote control, which is included in the delivery. Basic characteristic of control is described below.

Overview of functions



	Type of controller	Manual
	Control of air output	2 speeds
	Control of electric heater	ON/OFF
	Possibility of connecting a door contact	NO
	Temperature measurement	NO
	External control	NO
	Aftercooling electric air curtain	YES
	Pairing controller with more curtains	YES*
	Indication of selected function	YES

* One control panel can be paired (via radio frequency) with up to 60 curtains.

After turning air curtain off an automatic function for safe cooling of the air curtain is set on and ventilators run for another 30 seconds. This function is signaled by a blinking LED placed on the cover of the curtain.



ACCESSORIES

No special accessories is required to ensure a proper operation of the BASIC air curtains.

WIRING DIAGRAMS

BASIC air curtain is supplied with a power cord including a plug (3 m long).





KEY TO CODING

VCB-A-060-E-RF-0-0

- 0** - additional coding
- 0** - standard white (RAL9016)
- 9** - atyp RAL
- RF** - Radio frequency remote control
- E** - electric air curtain
- 060** - 060 - nominal width 600 mm
- 090 - nominal width 900 mm
- A** - economic series
- VCB** - air curtain BASIC